

ISTITUTO NAZIONALE DI RICERCA METROLOGICA
Repository Istituzionale

Detector Array Readout with Traveling Wave Amplifiers

Original

Detector Array Readout with Traveling Wave Amplifiers / Giachero, A.; Barone, C.; Borghesi, M.; Carapella, G.; Caricato, A. P.; Carusotto, I.; Chang, W.; Cian, A.; Di Gioacchino, D.; Enrico, E.; Falferi, P.; Fasolo, L.; Faverzani, M.; Ferri, E.; Filatrella, G.; Gatti, C.; Giubertoni, D.; Greco, A.; Kutlu, C.; Leo, A.; Ligi, C.; Maccarrone, G.; Margesin, B.; Maruccio, G.; Matlashov, A.; Mauro, C.; Mezzena, R.; Monteduro, A. G.; Nucciotti, A.; Oberto, L.; Pagano, S.; Pierro, V.; Piersanti, L.; Rajteri, M.; Rizzato, S.; Semertzidis, Y. K.; Vinante, A.; Vinante, A.. - In: JOURNAL OF LOW TEMPERATURE PHYSICS. - ISSN 0022-2291. - 209:(2022), pp.58-66. doi:10.1007/s10909-022-02809-6. In: JOURNAL OF LOW TEMPERATURE PHYSICS. - ISSN 0022-2291. - 209:(2022), pp.58-66. doi:10.1007/s10909-022-02809-6. Publication date: 2022-12-02T15:16:35Z

Publisher:

SPRINGER/PLENUM PUBLISHERS

Published

DOI:10.1007/s10909-022-02809-6

Terms of use:


This article is made available under terms and conditions as specified in the corresponding bibliographic description in the repository

Publisher copyright

(Article begins on next page)



Detector Array Readout with Traveling Wave Amplifiers

A. Giachero^{1,2}  · C. Barone^{3,4} · M. Borghesi^{1,2} · G. Carapella^{3,4} · A. P. Caricato^{5,6} · I. Carusotto^{7,8,9} · W. Chang¹⁹ · A. Cian^{9,10} · D. Di Gioacchino¹¹ · E. Enrico^{9,12} · P. Falferi^{9,10,13} · L. Fasolo^{12,14} · M. Faverzani^{1,2} · E. Ferri^{1,2} · G. Filatrella^{4,15} · C. Gatti¹¹ · D. Giubertoni^{9,10} · A. Greco^{12,14} · C. Kutlu^{19,20} · A. Leo^{5,6} · C. Ligi¹¹ · G. Maccarrone¹¹ · B. Margesin^{9,10} · G. Maruccio^{5,6} · A. Matlashov¹⁹ · C. Mauro⁴ · R. Mezzena^{9,16} · A. G. Monteduro^{5,6} · A. Nucciotti^{1,2} · L. Oberto^{9,12} · S. Pagano^{3,4} · V. Pierro^{4,17} · L. Piersanti¹¹ · M. Rajteri^{12,18} · S. Rizzato^{5,6} · Y. K. Semertzidis^{19,20} · S. Uchaikin¹⁹ · A. Vinante^{9,10,13}

Received: 1 November 2021 / Accepted: 24 July 2022 / Published online: 12 August 2022

© The Author(s) 2022

Abstract

Reducing noise to the quantum limit over a large bandwidth is a fundamental requirement for future applications operating at millikelvin temperatures, such as the neutrino mass measurement, the next-generation X-ray observatory, the CMB measurement, the dark matter and axion detection, and the rapid high-fidelity readout of superconducting qubits. The read out sensitivity of arrays of microcalorimeter detectors, resonant axion-detectors, and qubits, is currently limited by the noise temperature and bandwidth of the cryogenic amplifiers. The Detector Array Readout with Traveling Wave Amplifiers project has the goal of developing high-performing innovative traveling wave parametric amplifiers with a high gain, a high saturation power, and a quantum-limited or nearly quantum-limited noise. The practical development follows two different promising approaches, one based on the Josephson junctions and the other one based on the kinetic inductance of a high-resistivity superconductor. In this contribution, we present the aims of the project, the adopted design solutions and preliminary results from simulations and measurements.

Keywords Quantum noise · Parametric amplifier · Traveling wave · Detector array read out · Qubits read out

✉ A. Giachero
andrea.giachero@mib.infn.it

Extended author information available on the last page of the article

1 Introduction

A wide range of quantum technologies rely on the faithful detection of microwave signals at millikelvin temperatures. This includes quantum computing with superconducting [1] and spin [2] qubits, multiplexed readout of particle and astronomical detectors (TEs [3, 4] and MKIDs [5, 6]) or the search for axionic dark matter with microwave cavities [7, 8]. These experiments often use amplifiers based on semiconductors (HEMT) with an high gain but with a noise 10–40 times above the standard quantum limit, the fundamental limit imposed by quantum mechanics [9]. At microwave frequencies, Josephson Parametric Amplifiers (JPA) [10] have demonstrated quantum-limited noise and are currently used in axion search and qubit read out. Nevertheless, JPAs can provide only a limited bandwidth (few hundred megahertz) and still cannot read out more than a handful of devices simultaneously. This represents a limitation for addressing the needs of the above-mentioned applications. An alternative and innovative solution is based on parametric amplification exploiting the traveling wave concept. A Traveling Wave Parametric Amplifier (TWPA) is designed by exploiting the signal (nonlinear) response of reactive parts (typically inductance) in a superconducting circuit. A large pump tone modulates this inductance, coupling the pump (f_p) to a signal (f_s) and idler (f_i) tone via frequency mixing such that $2f_p = f_s + f_i$ (4-wave mixing, 4 WM) or $f_p = f_s + f_i$ (3-wave mixing, 3 WM). The nonlinear inductance can be implemented by means of Josephson Junction (JJ) and Kinetic Inductance (KI) of superconductors. The relationship is, at the first order, $L(I) = L_0[1 + (I/I_c)^2]$, where I_c is the superconductor critical current. At $I < I_c$, junctions are dissipationless and act as nonlinear inductors.

In recent times, the concept of a parametric amplifier with microwaves travelling along a transmission line with embedded Josephson junctions (TWJPA) was developed in several groups [11, 12]. These devices operate at near quantum-limited noise performance and are used to readout superconducting qubit [13]. TWPA based on KI, called Dispersion-engineered Traveling Wave Kinetic Inductance (DTWKI) parametric amplifier or Kinetic Inductance Traveling Wave Parametric amplifier (KI-TWPA or in short-form KIT), was originally proposed by J. Zmuidzinas group at Caltech in 2012 and the first demonstrators have been produced after few years of development by Caltech [14] and NIST [15]. Recent results showed a noise very close to the quantum limited performance with a gain around 15 dB over a 5 GHz bandwidth [16–18]. These results highlight the potential of parametric amplifiers. However, they also show that significant progress is still needed to achieve the required gain, bandwidth, and noise performance with acceptable power dissipation.

The Detector Array Readout with Traveling Wave Amplifiers (DARTWARS) is a three-year project funded by the Italian Institute for Nuclear Physics (INFN) starting from 2021 that aims to fulfil these requirements. The technical goal is to achieve a gain value around 20 dB, comparable to HEMT, a high saturation power (around -50 dBm), and a quantum limited or nearly quantum limited noise ($T_N < 600$ mK) in the 4–8 GHz (C-band) and 8–12 GHz frequency bands.

These features will lead to reading out large arrays of detectors or qubits with no noise degradation. The development of two different approaches is surely more demanding in terms of time and costs but, for sure, is the best way to maximize the success of the action.

2 TWJPA Design

Josephson junctions based Traveling Wave Parametric Amplifiers are composed by a coplanar waveguide (CPW) embedding a chain elementary cells containing Josephson Junctions (eg. rf-SQUIDs). The nonlinear behaviour can be tuned using an external magnetic field or a DC bias that flows in the signal line, allowing it to work as a three-wave mixer [19] or a four-wave mixer. The DARTWARS design follows the quantum model developed by INRiM [20, 21], a coupled mode equation approach to describe the behaviour of a TWJPA in the few-photons or even single-photon level.

To avoid power leakage into higher frequency tones the CPWs are equipped with a modified dispersion relation following two different approaches, the Resonant Phase Matching (RPM) and the Quasi-Phase Matching (QPM) techniques. RPM uses a reduced plasma frequency mixed to a periodic load of LC resonators to create mismatch among the traveling tones, in order to suppress higher harmonic generation, and re-phase just the signal tone that is meant to be amplified through the opening of a bandgap in the dispersion relation [22]. On the contrary, QPM uses a mix of low plasma frequency and a sign modulation of the nonlinearity into the medium to suppress higher harmonic generation and stimulate amplification by changing the phase of the traveling waves of π after a coherence length has been reached [23].

During 2021 INRiM developed a modified version of the quantum model [20], which implements in its mathematical structure the modified dispersion relation given by the RPM technique. The study highlights how the presence of the RPM helps reduce the phase mismatch between the traveling tones given by the low plasma frequency (35 GHz), enhancing the overall gain of several dB respect to the case where RPM is not used. Moreover, a numerical study on the RPM and QPM approach has been performed through a Coupled Mode Equations (CME) method [24]. The CME method takes into account modes at frequency as high as the fifth pump harmonic, meaning that the power dispersion of the pump into higher harmonics can be quantitatively studied and monitored. Figure 1 reports the results of these numerical simulations for the RPM (left) and QPM (right) schemes optimized to work at a pump frequency around 12.7 GHz. In both schemes the 50 Ω matched devices consist of a repetition of 900 (RPM) or 1300 (QPM) rf-SQUID based cells composed by a Josephson junction (critical current $I_c = 2 \mu\text{A}$) in parallel with a geometrical inductance ($L_g = 100 \text{ pH}$). The effects of the introduction of LC resonator in the RPM scheme and the modulation of the nonlinearity sign via the exchange of the Josephson junction and the geometrical inductance in the QPM scheme are clearly visible in the dashed line reported in figure 1. The poling scheme maximize its effect by binary encoding a sinusoidal value of the nonlinearity with a period of 579 cells [23].

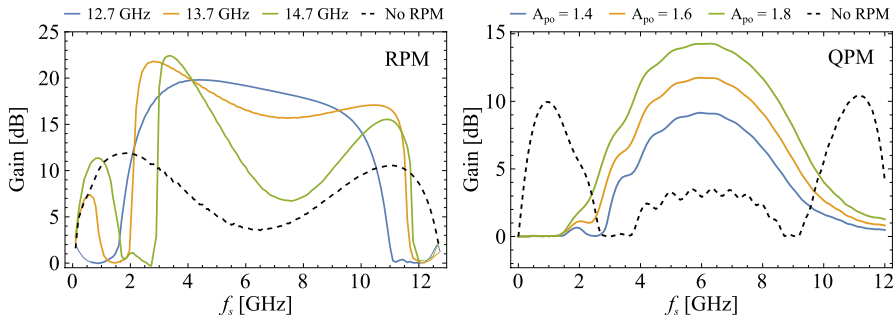


Fig. 1 (left) Gain in the 3WM regime as a function of signal frequency f_s for a JTWPA implementing the RPM scheme calculated for different pump frequencies by exploiting the Coupled Modes Equations approach (CME-2). (right) Gain in the Three-Wave Mixing regime as a function of signal frequency f_s for a JTWPA implementing the QPM scheme, calculated for different normalized pump amplitudes (A_{po}) by exploiting the Coupled Modes Equations approach (CME-2) (Color figure online)

The physical implementation of the circuit components occurred through electromagnetic simulations performed with the software Sonnet Suite. The RPM technique needs shunt resonators with resonant frequency very close to the pump frequency, hence in the range 10–15 GHz depending on the working band, and a reduced plasma frequency, around 35 GHz. These facts require the presence of large capacitances in the resonators and shunting the Josephson junctions, that can be reached by adding an extra layer of dielectric material in the layout so as to allow the use of parallel plate capacitors. The same result can be achieved using extended 2D planar resonators and large area Josephson junctions. The former approach allows reducing the areas of the Josephson junctions at the cost of adding a layer of dielectric material. The Sonnet Suite has been used to realise the physical layout of the devices in the presence and absence of the extra dielectric layer, that has been chosen to be SiO₂ (loss tangent 10^{-3}) and a-Si:H (loss tangent 2.5×10^{-5} [25]), and to evaluate material dependent losses affecting the final added noise performances where two-level-systems play the significant role. The physical implementation of QPM-JTWPA does not require resonators but just a poling of the rf-SQUIDs and a reduced plasma frequency, that again can be reached by enlarging the area of the Josephson junctions and proper tuning of the oxidation process realizing the tunnel barrier.

3 TWJPA Fabrication

The preliminary characterization of the first TWJPA prototypes fabricated at INRiM highlighted the presence of unwanted effects ascribable to an inhomogeneity in the area of the fabricated Josephson Junctions (JJs). These first prototypes were fabricated exploiting a well-established nanofabrication technology based on electron beam lithography (EBL) on a double layer polymeric mask (bottom layer realized with the copolymer MMA(8.5)MAA EL11 and top layer realized with 950K PMMA A4, both by KayakuAM) followed by an Aluminium e-gun evaporation exploiting

the Niemeyer-Dolan technique. The realization of thousands of micrometric structures, such as those present in a TWJPA architecture, in the range of time in which the lithographic system is stable and predictable requires the use of a large beam current, causing a reduction in the pattern resolution and hence the origin of a spread in the areas of the JJs. To overcome this issue, in the first half of 2021, INRiM started to fabricate new TWJPAs exploiting a two-step lithography approach. The lithography of the components with a resolution bigger than 1 μm were realized with an UV laser writer (PG-101 from Heidelberg) exploiting a polymeric mask realized with the reverse image photoresist AZ 5214 E from Microchemicals GmbH. To reach the desired resolution for this process over large areas, up to 2" diameter, many process parameters have been tuned (spinning protocol, power of the UV laser, bake time and temperature of the mask and time of the development). The second lithography step, reserved to the features smaller than 1 μm , will be realized with EBL. This will guarantee the use of a small beam current and hence an increase in the resolution of the process. Moreover, to further reduce the JJ areas inhomogeneity due to the overlap of unpredictable rounded edges, a new design for these structures is under development. This design will exploit a new double layer mask made with LOR 20B and 950K PMMA A4, both from KayakuAM. Preliminary characterization of the lithography and development of this mask have been already performed during the first half of 2021. To realize TWJPA architectures that need the presence of a dielectric layer, during the first half of 2021 INRiM grown and characterized thin films of SiO₂ and a-Si:H realized with an Inductively Coupled Plasma Chemical Vapour Deposition system (PlasmaPro 100 ICPCVD by Oxford Instruments). Several samples, realized at different substrate temperatures (from 200 to 350 °C), were preliminarily analyzed with spectroscopic ellipsometric and FTIR (Fourier-transform infrared spectroscopy) measurement.

4 KI-TWPA Design

Traveling wave amplifiers require both momentum conservation, i.e., phase matching, and energy conservation for the pump, signal, and any idlers that are generated. For the KI-TWPA device, momentum conservation can be attained by i) dispersion engineering of the CPW with periodic loadings that create a frequency gap or by ii) an artificial transmission line, also known as a lumped-element transmission line, that uses lumped-element inductors and capacitors instead of the distributed inductances and capacitances in a conventional transmission line. The characteristic impedance of the transmission line is modified every one-sixth of a wavelength at a frequency slightly above the pump frequency f_p to form a wide stopband at $3f_p$. In addition, every third loading is modified in length (longer or shorter relative to the first two) to create a narrow stopband near f_p . Placed just below this narrow stopband, the pump tone picks up additional phase shift to fulfill the phase-matching condition, while its third harmonic is suppressed by the $3f_p$ stopband. As a result, exponential gain can be achieved over a broad bandwidth of more than one-half the pump frequency. CPW amplifiers, made in NbTiN, achieved 15 dB gain with a transmission line 2 μm long [14]. More recent versions based on lumped

elements, and made of NbTiN, achieved comparable gains with a transmission line 33 cm long [17]. The advantage of the lumped element approach is that a shorter transmission line results in a higher fabrication yield [26]. In addition, longer CPW line means higher chances to have fabrication defects that could cause impedance mismatches in the line. These mismatches cause standing waves that, in turn, could cause large ripples in the gain profile. As a result, the amplifier chip heats up, due to the strong pump tone, creating an excess of thermal noise. Considering all of these advantages, the goal of the DARTWARS project is to design KI-TWPA prototypes as a weakly dispersive artificial transmission line implemented by lumped-element inductors and capacitors (see Fig. 2 as example).

5 KI-TWPA Fabrication

The first aim is to tune the fabrication process in order to realize parametric amplifiers in NbTiN with a critical temperature around $T_c = 15$ K [26] and a kinetic inductance around $L_k = 10$ pH/square [17]. To achieve these requirements a new sputtering system based on a KS 800 C Cluster provided by Kenosistec S.r.l. is currently being commissioned and tuned at the Fondazione Bruno Kessler-Center for Materials and Microsystems (FBK-CMM). The cluster is composed of two deposition chambers and a chamber for loading and transfers. Each deposition chamber is equipped with 4 Magnetron cathodes and turbomolecular pump able to reach a base vacuum of 5×10^{-9} mbar. The system is capable of handling 6" wafers and allows heating of substrates up to 400 °C. Deposition can be performed by reactive sputtering, by injecting Nitrogen, and by co-sputtering using two cathodes at the same time. In preliminary phases the system has been tested with deposition of Niobium (Nb) and Niobium nitride (NbN), finding a good match with the literature [27].

Most of the NbTiN film depositions have been done with the reactive sputtering technique using a target of $\text{Nb}_{0.66}\text{Ti}_{0.34}$ alloy which reduces the number of parameters to optimize. All films have been deposited on oxidized Si-wafers heated up to 400 °C. In these tests the chamber pressure was kept at 3×10^{-3} mbar with an Ar flow of 50 sccm while the N_2 flow was verified from 5 to 22.5 sccm. As shown in Fig. 3 the highest critical temperature of $T_c = 14.08$ K has been obtained at a low

Fig. 2 Circuitual model of a unit cell of a superconducting artificial line made of CPW sections (not to scale). In the equivalent electrical circuit, each cell is composed by a series inductance L_d and two resonators with inductance L_f and capacitance to ground $C/2$ (Color figure online)

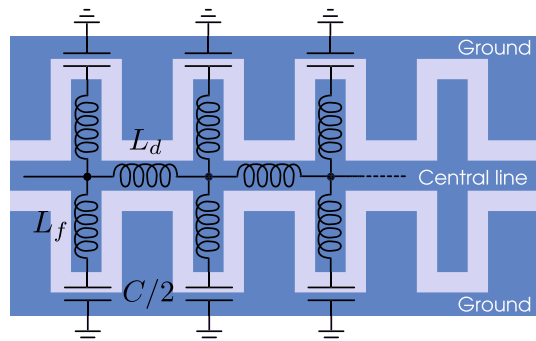
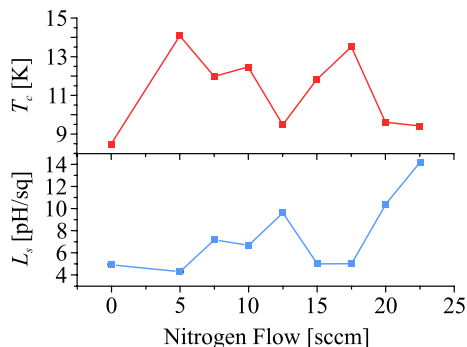


Fig. 3 (Top) Critical temperature as function of the nitrogen flow measured at cryogenic temperature for the deposited NbTiN films. (Bottom) Kinetic Inductance calculated based on the gap of the BCS theory and the sheet resistance and extrapolated for a film thickness of 30 nm (Color figure online)



N_2 flow with a very narrow transition of 4 mK. This film resulted tensile with an estimated sheet resistance of 1312 $n\Omega$ m. The residual resistance ratio of the films resulted in the order of 1. For all films the kinetic inductance has been calculated based on the gap of the BCS theory and the sheet resistance and extrapolated for a film thickness of 30 nm, see Fig. 3. The next tests will explore in more detail the region with the highest transition temperature and to see if it is possible to obtain more compressive films by rising the process pressure. The first KI-TWPA prototypes are foreseen in 2022 and will be produced exploiting the optimized deposition and etching procedures developed during 2021.

6 Conclusion and Future Plans

TWPA are promising candidates as quantum limited microwave amplifiers for applications in fundamental physics experiments and quantum computing. The DART WARS project aims to develop high performances TWPA by exploring new design solutions, new materials, and advanced fabrication processes. The long-term goal is to demonstrate the readout with different sensors (Transition Edge Sensors, Microwave Kinetic Inductance Detectors, microwave cavities) and qubits, opening the concrete possibility to increase the sensitivity of the next generation of particle physics and quantum computing experiments.

Acknowledgements This work is supported by the European Union's H2020-MSCA Grant Agreement No. 101027746, by the Italian Institute of Nuclear Physics (INFN) within the Technological and Interdisciplinary research commission (CSN5), by the Institute for Basic Science (IBS-R017-D1) of the Republic of Korea, and by the Joint Research Project PARAWAVE of the European Metrology Programme for Innovation and Research (EMPIR). PARAWAVE received funding from the EMPIR programme cofinanced by the Participating States and from the European Union's Horizon 2020 research and innovation programme.

Funding Open access funding provided by Università degli Studi di Milano - Bicocca within the CRUI-CARE Agreement.

Open Access This article is licensed under a Creative Commons Attribution 4.0 International License, which permits use, sharing, adaptation, distribution and reproduction in any medium or format, as long as you give appropriate credit to the original author(s) and the source, provide a link to the Creative


Commons licence, and indicate if changes were made. The images or other third party material in this article are included in the article's Creative Commons licence, unless indicated otherwise in a credit line to the material. If material is not included in the article's Creative Commons licence and your intended use is not permitted by statutory regulation or exceeds the permitted use, you will need to obtain permission directly from the copyright holder. To view a copy of this licence, visit <http://creativecommons.org/licenses/by/4.0/>.

References

1. P. Krantz et al., *Appl. Phys. Rev.* **6**, 021318 (2019). <https://doi.org/10.1063/1.5089550>
2. J. Stehlik et al., *Phys. Rev. Appl.* **4**, 014018 (2015). <https://doi.org/10.1103/PhysRevApplied.4.014018>
3. K.D. Irwin, G.C. Hilton, *Top. Appl. Phys.* **99**, 63–149 (2005). https://doi.org/10.1007/10933596_3
4. L. Gottardi, K. Nagayashi, *Appl. Sci.* **11**(9), 3793 (2021). <https://doi.org/10.3390/app11093793>
5. P. Day et al., *Nature* **425**, 817–821 (2003). <https://doi.org/10.1038/nature02037>
6. J. Zmuidzinas, *Annu. Rev. Condens. Matter Phys.* **3**(1), 169–214 (2012). <https://doi.org/10.1146/annurev-conmatphys-020911-125022>
7. D. Alesini et al., *Phys. Rev. D* **99**(10), 101101 (2019). <https://doi.org/10.1103/PhysRevD.99.101101>
8. N. Crescini et al., *Phys. Rev. Lett.* **124**(17), 171801 (2020). <https://doi.org/10.1103/PhysRevLett.124.171801>
9. C.M. Caves, *Phys. Rev. D* **26**, 1817 (1982). <https://doi.org/10.1103/PhysRevD.26.1817>
10. M.A. Castellanos-Beltran, K.W. Lehnert, *Appl. Phys. Lett.* **91**, 083509 (2007). <https://doi.org/10.1063/1.2773988>
11. K. O'Brien et al., *Phys. Rev. Lett.* **113**, 157001 (2014). <https://doi.org/10.1103/PhysRevLett.113.157001>
12. T.C. White et al., *Appl. Phys. Lett.* **106**, 242601 (2015). <https://doi.org/10.1063/1.4922348>
13. C. Macklin et al., *Science* **350**(6258), 307–310 (2015). <https://doi.org/10.1126/science.aaa8525>
14. H. Eom et al., *Nat. Phys.* **8**, 623–627 (2012). <https://doi.org/10.1038/nphys2356>
15. M.R. Vissers et al., *Appl. Phys. Lett.* **108**, 012601 (2016). <https://doi.org/10.1063/1.4937922>
16. N. Zobrist et al., *Appl. Phys. Lett.* **115**, 042601 (2019). <https://doi.org/10.1063/1.5098469>
17. M. Malnou et al., *PRX Quantum* **2**, 010302 (2021). <https://doi.org/10.1103/PRXQuantum.2.010302>
18. S. Shu et al., *Phys. Rev. Res.* **3**, 023184 (2021). <https://doi.org/10.1103/PRXQuantum.2.010302>
19. A.B. Zorin, *Phys. Rev. Appl.* **6**, 034006 (2016). <https://doi.org/10.1103/PhysRevApplied.6.034006>
20. A. Greco et al., [arXiv:2009.01002](https://arxiv.org/abs/2009.01002) [cond-mat.supr-con]
21. A.L. Fasolo et al., [arXiv:2109.14924](https://arxiv.org/abs/2109.14924) [cond-mat.supr-con]
22. K. O'Brien et al., *Phys. Rev. Lett.* **113**, 157001 (2014). <https://doi.org/10.1103/PhysRevLett.113.157001>
23. A.B. Zorin, *Appl. Phys. Lett.* **118**, 222601 (2021). <https://doi.org/10.1063/5.0050787>
24. T. Dixon et al., *Phys. Rev. Appl.* **14**, 034058 (2020). <https://doi.org/10.1103/PhysRevApplied.14.034058>
25. A. Bruno et al., *Phys. Procedia* **36**, 245–249 (2012). <https://doi.org/10.1016/j.phpro.2012.06.154>
26. S. Chaudhuri et al., *Appl. Phys. Lett.* **110**, 152601 (2017). <https://doi.org/10.1063/1.4980102>
27. N. Pinto et al., *Sci. Rep.* **8**, 4710 (2018). <https://doi.org/10.1038/s41598-018-22983-6>

Publisher's Note Springer Nature remains neutral with regard to jurisdictional claims in published maps and institutional affiliations.

Authors and Affiliations

A. Giachero^{1,2}  · C. Barone^{3,4} · M. Borghesi^{1,2} · G. Carapella^{3,4} · A. P. Caricato^{5,6} · I. Carusotto^{7,8,9} · W. Chang¹⁹ · A. Cian^{9,10} · D. Di Gioacchino¹¹ · E. Enrico^{9,12} · P. Falferi^{9,10,13} · L. Fasolo^{12,14} · M. Faverzani^{1,2} · E. Ferri^{1,2} · G. Filatrella^{4,15} · C. Gatti¹¹ · D. Giubertoni^{9,10} · A. Greco^{12,14} · C. Kutlu^{19,20} · A. Leo^{5,6} · C. Ligi¹¹ · G. Maccarrone¹¹ · B. Margesin^{9,10} · G. Maruccio^{5,6} · A. Matlashov¹⁹ · C. Mauro⁴ · R. Mezzena^{9,16} · A. G. Monteduro^{5,6} · A. Nucciotti^{1,2} · L. Obero^{9,12} · S. Pagano^{3,4} · V. Pierro^{4,17} · L. Piersanti¹¹ · M. Rajteri^{12,18} · S. Rizzato^{5,6} · Y. K. Semertzidis^{19,20} · S. Uchaikin¹⁹ · A. Vinante^{9,10,13}

¹ Department of Physics, University of Milano Bicocca, 20126 Milan, Italy

² INFN - Milano Bicocca, 20126 Milan, Italy

³ Department of Physics, University of Salerno, 84084 Fisciano, Salerno, Italy

⁴ INFN - Napoli, Salerno Group, 84084 Fisciano, Salerno, Italy

⁵ Department of Physics, University of Salento, 73100 Lecce, Italy

⁶ INFN-Sezione di Lecce, 73100 Lecce, Italy

⁷ INO-CNR BEC Center, 38123 Povo, Trento, Italy

⁸ Department of Physics, University of Trento, 38123 Povo, Trento, Italy

⁹ INFN - Trento Institute for Fundamental Physics and Applications, 38123 Povo, Trento, Italy

¹⁰ Fondazione Bruno Kessler, 38123 Povo, Trento, Italy

¹¹ INFN - Laboratori Nazionali di Frascati, 00044 Frascati, Rome, Italy

¹² INRiM - Istituto Nazionale di Ricerca Metrologica, 10135 Turin, Italy

¹³ INFN-CNR, 38123 Povo, Trento, Italy

¹⁴ Polytechnic University of Turin, 10129 Turin, Italy

¹⁵ Department of Science and Technology, University of Sannio, 82100 Benevento, Italy

¹⁶ Department of Physics, University of Trento, 38123 Povo, Trento, Italy

¹⁷ Department of Engineering, University of Sannio, 82100 Benevento, Italy

¹⁸ INFN - Torino, 10125 Turin, Italy

¹⁹ Center for Axion and Precision Physics Research, Institute for Basic Science (IBS), Daejeon 34051, Republic of Korea

²⁰ Department of Physics, Korea Advanced Institute of Science and Technology (KAIST), Daejeon 34141, Republic of Korea

Terms and Conditions

Springer Nature journal content, brought to you courtesy of Springer Nature Customer Service Center GmbH (“Springer Nature”).

Springer Nature supports a reasonable amount of sharing of research papers by authors, subscribers and authorised users (“Users”), for small-scale personal, non-commercial use provided that all copyright, trade and service marks and other proprietary notices are maintained. By accessing, sharing, receiving or otherwise using the Springer Nature journal content you agree to these terms of use (“Terms”). For these purposes, Springer Nature considers academic use (by researchers and students) to be non-commercial.

These Terms are supplementary and will apply in addition to any applicable website terms and conditions, a relevant site licence or a personal subscription. These Terms will prevail over any conflict or ambiguity with regards to the relevant terms, a site licence or a personal subscription (to the extent of the conflict or ambiguity only). For Creative Commons-licensed articles, the terms of the Creative Commons license used will apply.

We collect and use personal data to provide access to the Springer Nature journal content. We may also use these personal data internally within ResearchGate and Springer Nature and as agreed share it, in an anonymised way, for purposes of tracking, analysis and reporting. We will not otherwise disclose your personal data outside the ResearchGate or the Springer Nature group of companies unless we have your permission as detailed in the Privacy Policy.

While Users may use the Springer Nature journal content for small scale, personal non-commercial use, it is important to note that Users may not:

1. use such content for the purpose of providing other users with access on a regular or large scale basis or as a means to circumvent access control;
2. use such content where to do so would be considered a criminal or statutory offence in any jurisdiction, or gives rise to civil liability, or is otherwise unlawful;
3. falsely or misleadingly imply or suggest endorsement, approval, sponsorship, or association unless explicitly agreed to by Springer Nature in writing;
4. use bots or other automated methods to access the content or redirect messages
5. override any security feature or exclusionary protocol; or
6. share the content in order to create substitute for Springer Nature products or services or a systematic database of Springer Nature journal content.

In line with the restriction against commercial use, Springer Nature does not permit the creation of a product or service that creates revenue, royalties, rent or income from our content or its inclusion as part of a paid for service or for other commercial gain. Springer Nature journal content cannot be used for inter-library loans and librarians may not upload Springer Nature journal content on a large scale into their, or any other, institutional repository.

These terms of use are reviewed regularly and may be amended at any time. Springer Nature is not obligated to publish any information or content on this website and may remove it or features or functionality at our sole discretion, at any time with or without notice. Springer Nature may revoke this licence to you at any time and remove access to any copies of the Springer Nature journal content which have been saved.

To the fullest extent permitted by law, Springer Nature makes no warranties, representations or guarantees to Users, either express or implied with respect to the Springer nature journal content and all parties disclaim and waive any implied warranties or warranties imposed by law, including merchantability or fitness for any particular purpose.

Please note that these rights do not automatically extend to content, data or other material published by Springer Nature that may be licensed from third parties.

If you would like to use or distribute our Springer Nature journal content to a wider audience or on a regular basis or in any other manner not expressly permitted by these Terms, please contact Springer Nature at

onlineservice@springernature.com